

OMSTRAP

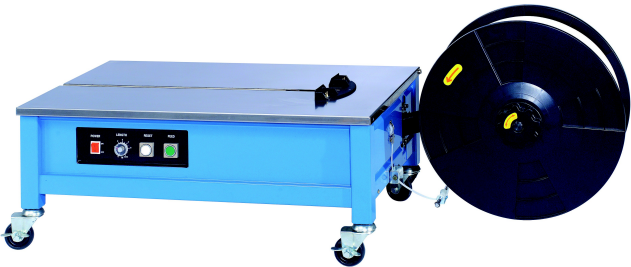
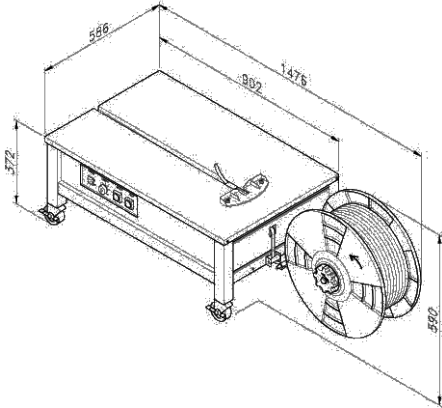
SM 202 L

Semiautomatic strapping machine **low working table:**
It works with strap 9/12/15 mm core 200 o 280 mm.
Working table high 372 mm. fixed
Strap tensioning from 0,6 to 45 Kgs. Externally adjustable
Standard voltage 220V monophase/50 Hz./0,5 Kw.
Machine dimensions 1476 x 586 x 372 (L x P x H)
Standard color light blue
Series reset button
Electric operator control 24 V
Machine weight 80 Kg.
Minimum package 80 X 30 (W x H)

OPTIONAL

Kit 5 mm.

For working with strap 5 x 050 mm core 200 o 280



SM 202 L