

SM 702 12

High speed 12 mm automatic strapping machine:
over 60 strapping a minute
 strap 12 x 050 inside core 200 external core 480 mm.
Standard arch 650 x 500
 Strap tensioning from 0 to 45 Kgs. Electronically adjustable
 Soft tensioning for delicate parcels
 Automatic disobstruction and loop ejection
 Start with fixed pedal or button control panel side
Automatic charge and change roll on the side of the machine
Fixed strap truck on the side of the machine
 Working table height adustable from 820 to 920 mm.
 Opens wide for quick inspection and maintenance
 Minimum package dimension 70 x 20 mm (W x H)
 Standard voltage 220V monophas/50 Hz./0,50 Kw.
 Machine dimensions 1200 x 650 x 1405 (L x P x H) weight 166Kg.
 Four wheels (two of them are locking)
 Regulation time of sealing for heavy tensioning system
Series fixed frontal bar pedal on each model

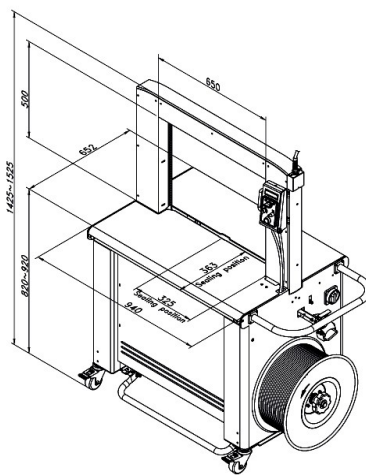
OPTIONAL

photocell
SQ6 SQ7
 Rear bar
SM 702 12 S

On working table
 Intelligent disobstruction
 Rear long Bar pedal
 Stainless steel version

archi WxH

- 650x500
- 850x400
- 850x600
- 850x800
- 850x1000
- 1050x600
- 1050x800
- 1050x1000
- 1250x600
- 1250x800
- 1250x1000
- 1650x500



SM 702 12 650x500



SM 702 12 650x500